

SINGER

261U43A

ILLUSTRATED PARTS LIST

FOR
SINGER[®]

MACHINE

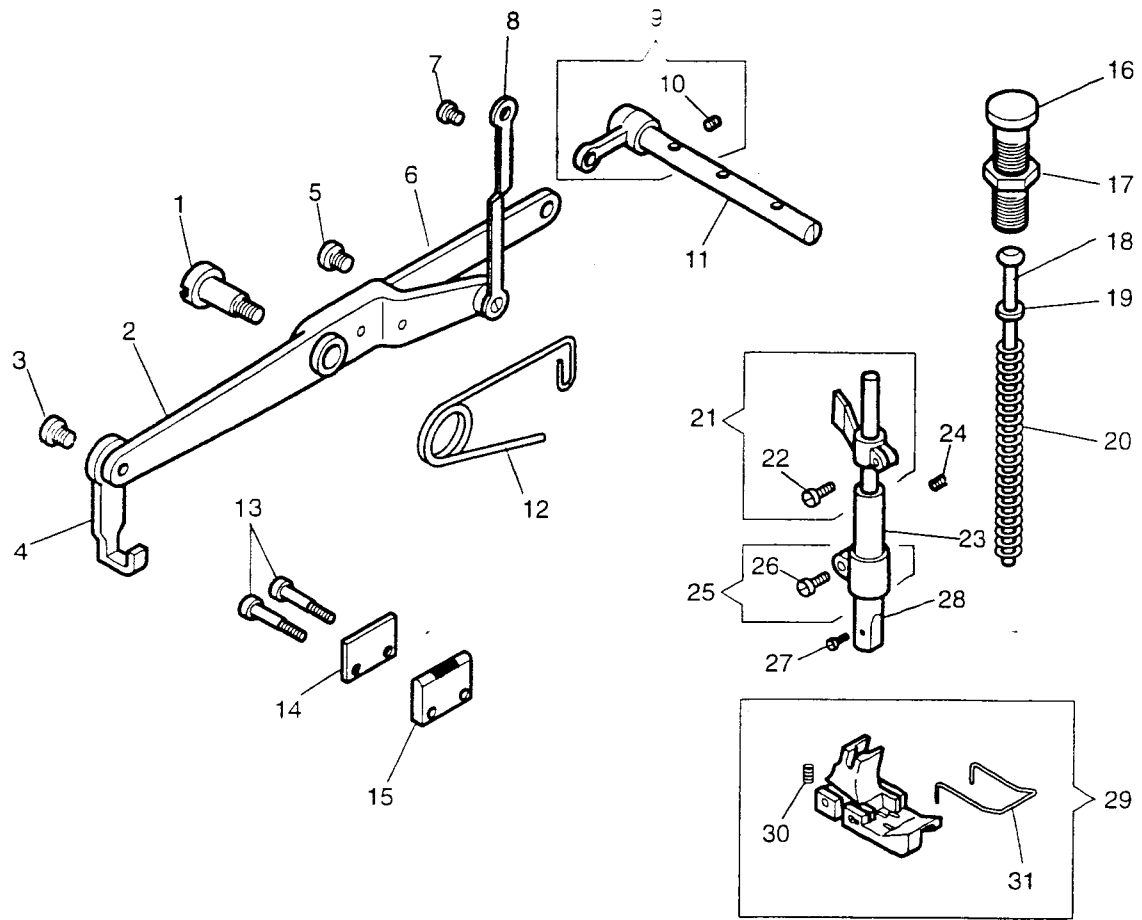
261U 43A

From the library of: Diamond Needle Corp

CONTENTS

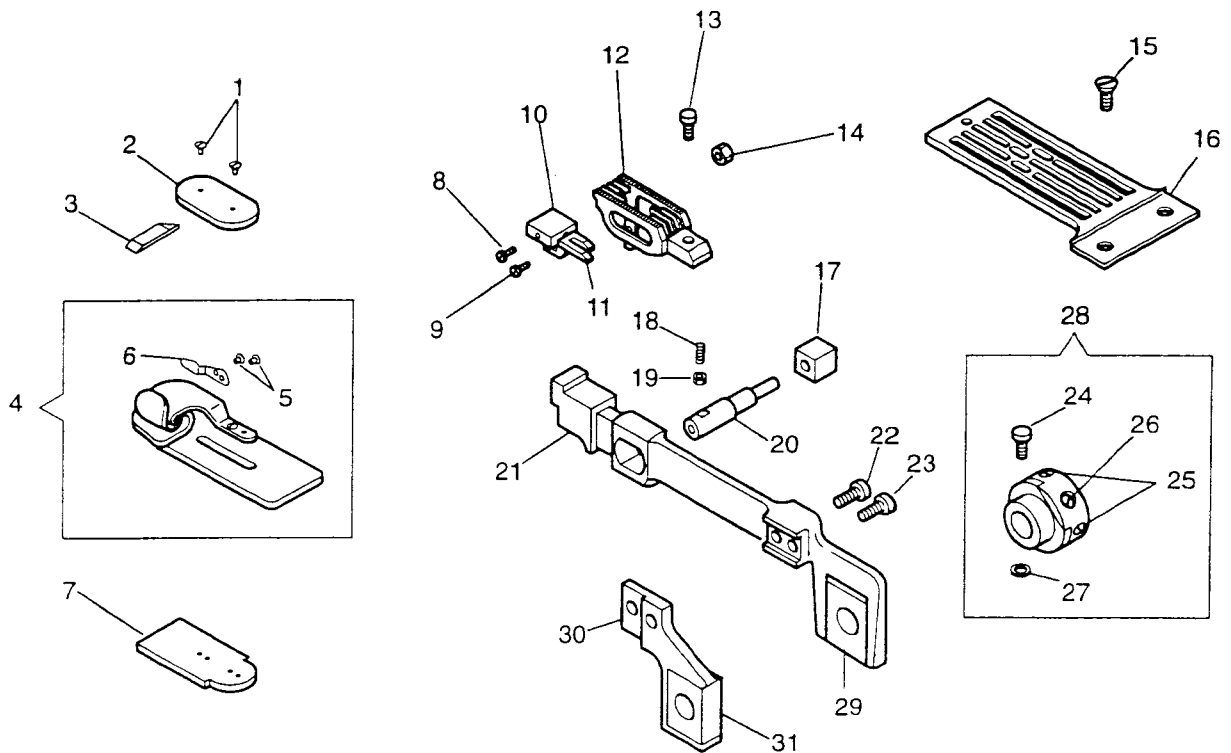
1. Presser Bar, Presser Foot and Thread Cutter	1
2. Feed Mechanism , Throat Plate and Lap Seem Feller	2
3. Looper Mechanism	3
4. Upright Shaft and Lubrication System	4
5. Arm Shaft and Machine Pulley	5
6. Needle Bar and Take-up Lever	6
7. Bed Rotary Shaft	7
8-1. Looper Thread Guide and Belt Guard	8
8-2. Looper Thread Guide and Belt Guard	9
9. Needle Thread Guide and Tension	10
10-1. Covers	11
10-2. Covers	12
11. Oil Reservoir and Arm Screw	13
12. Others	14

1. Presser Bar, Presser Foot and Thread Cutter



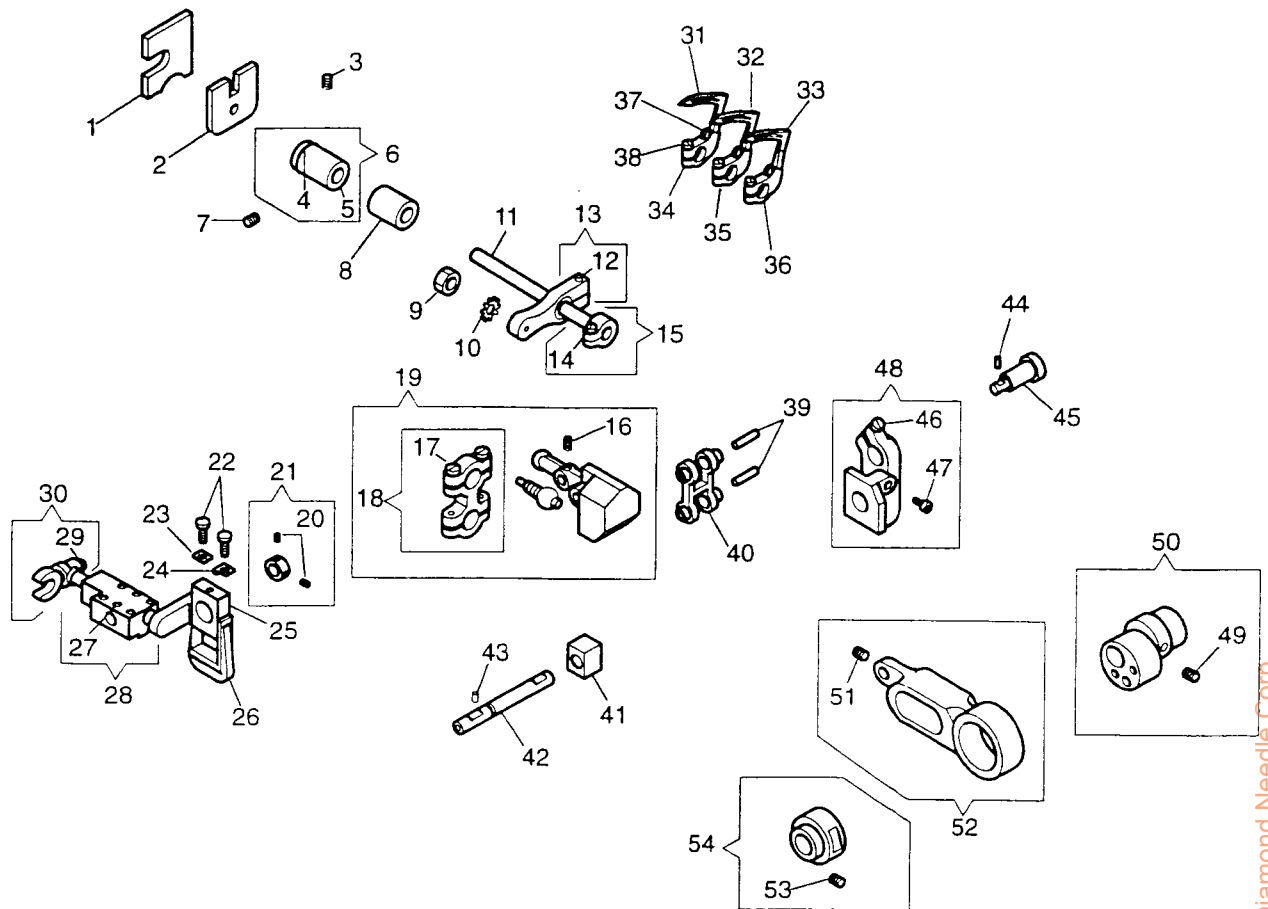
PART NO.	DESCRIPTION
1 802	Hinge Screw
2 416081 -469	Presser Bar Lifting Lever
3 807	Hinge Screw
4 146676	Presser Bar Lifting Bracket Lifter
5 504076	Screw (2)
6 146609	Presser Bar Lifting Lever Extension
7 416130	Screw (2)
8 146620	Connecting Link
9 416024	Tension (needle thread) Releasing Shaft Crank Assembly
10 504134	Set Screw
11 68003	Releasing Shaft
12 143511 -001	Spring
13 50225	Screw (2)
14 139181	Thread Cutter (Knife)
15 143524	Thread Cutter Support and Guide
16 416052	Thumb Screw
17 416021	Nut
18 32833	Guide Pin
19 175032	Washer
20 146159	Presser Bar Spring
21 416115	Presser Bar Lifting Bracket Assembly
22 416005	Screw
23 146751	Presser Bar Bushing (lower)
24 1133	Set Screw
25 416116	Presser Bar Stop Assembly
26 416134	Screw
27 416134	Screw
28 416041	Presser Bar
29 372848	Presser Foot (for 1/8"-1/8")
30 372849	Spring
31 372212	Finger Guard

2. Feed Mechanism , Throat Plate and Lap Seem Feller



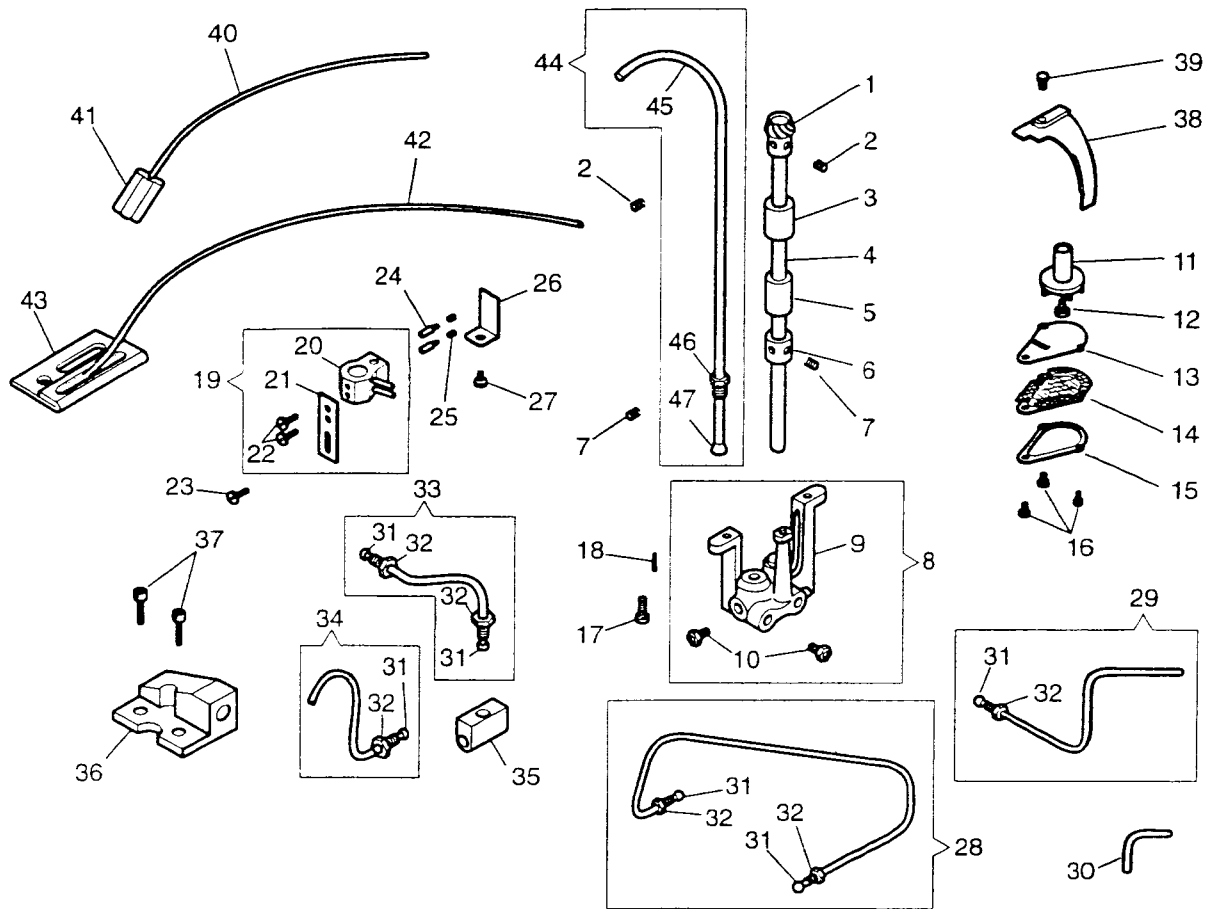
PART NO.	DESCRIPTION
1	1443 Screw (2)
2	121449 Clamping Plate
3	22957 Lap Seem Feller Slide Filler Plate
4	121629 -505 Lap Seem Feller (1/4"-H) Assembly
5	662 Screw (2)
6	230066 Lap Seem Feller Spring
7	416036 Lap Seem Feller Slide
8	372846 Screw
9	372847 Screw
10	372205 Needle Guard Holder
11	372204 Needle Guard
12	372203 Feed Dog (for 1/8"-1/8")
13	1255 Screw
14	372206 Nut
15	691 Screw (3)
16	372850 Throat Plate (for 1/8"-1/8")
17	139046 Slide Block
18	443 Set Screw
19	545407 Nut
20	416145 Feed Bar Hinge Pin (eccentric)
21	143448 Feed Bar
22	504084 Screw
23	545385 Screw
24	416018 Feed Regulating Screw
25	51061 Set Screw (2)
26	416139 Screw
27	7071 Washer
28	416071 Feed Eccentric (adjustable) Assembly
29	143450 Slide Block
30	416040 Feed Lifting Eccentric Forked Connection
31	143451 Slide Block

3. Looper Mechanism



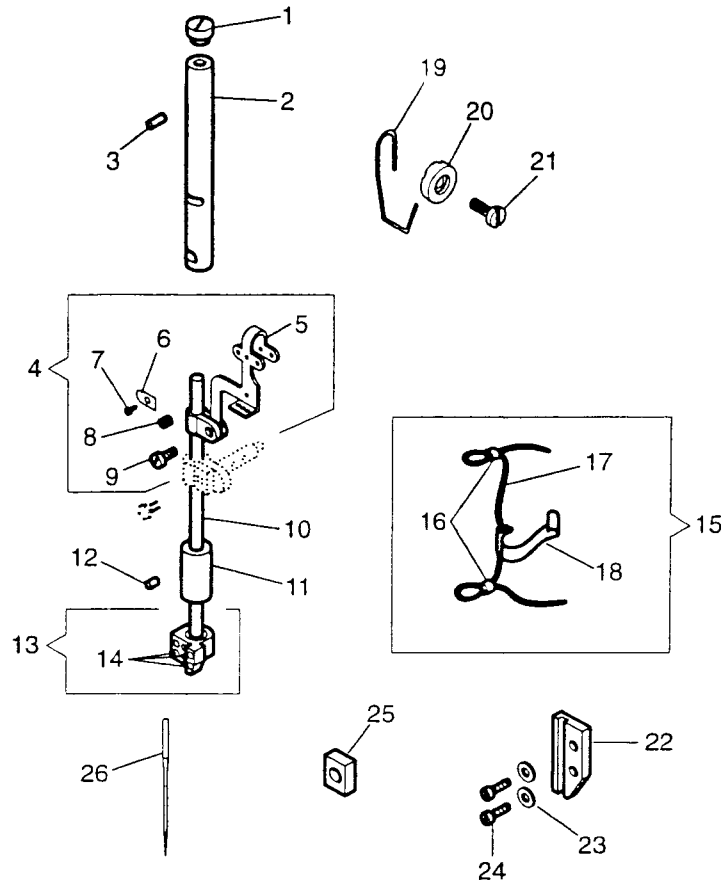
PART NO.	DESCRIPTION	PART NO.	DESCRIPTION
1	143646 Gasket	33	372845 Looper (front)
2	143614 Bed Oil Shield (felt, lower)	34	372840 Looper Holder (back)
3	454 Set Screw	35	372841 Looper Holder (intermediate)
4	143551 Oil Seal (rubber)	36	372842 Looper Holder (front)
5	143485 Bushing (back)	37	372846 Screw (3)
6	143552 Looper Holder Shaft Bushing (back) Assembly	38	372847 Screw (3)
7	443 Set Screw	39	139065 Hinge Pin (2)
8	143486 Bushing (front)	40	139064 Connecting Link
9	545407 Nut	41	139074 Slide Block
10	128551 Washer	42	416148 Slide Block Stud
11	375199 Looper Holder Shaft	43	446 Set Screw
12	416005 Screw	44	446 Set Screw
13	416026 Looper Driving Arm Connection Crank Assembly	45	139534 Hinge Stud
14	416005 Screw	46	416020 Screw
15	416027 Looper Holder Shaft Collar Assembly	47	545390 Screw (2)
16	1047 Set Screw	48	416043 Looper Eccentric Collar and Support Assembly
17	416132 Screw (4)	49	545068 Set Screw (2)
18	416127 Looper Driving Arm Connection Assembly	50	416091 Looper Eccentric and Feed Lifting Eccentric Assembly
19	32355 Looper Driving Arm Assembly	51	1047 Set Screw
20	504048 Set Screw (2)	52	143462 Looper Eccentric Connection Assembly
21	416072 Looper Avoiding Eccentric Assembly	53	416044 Set Screw
22	226 Screw (2)	54	143644 Bed Rotary Shaft Bushing (left)
23	143459 Slide Block Cover (back)		
24	143460 Slide Block Cover (front)		
25	143458 Slide Block		
26	143455 Forked Connection		
27	456 Set Screw		
28	416074 Forked Connection Bracket Assembly		
29	549030 Screw		
30	416075 Forked Connection Crank Assembly		
31	372843 Looper (back)		
32	372844 Looper (intermediate)		

4. Upright Shaft and Lubrication System



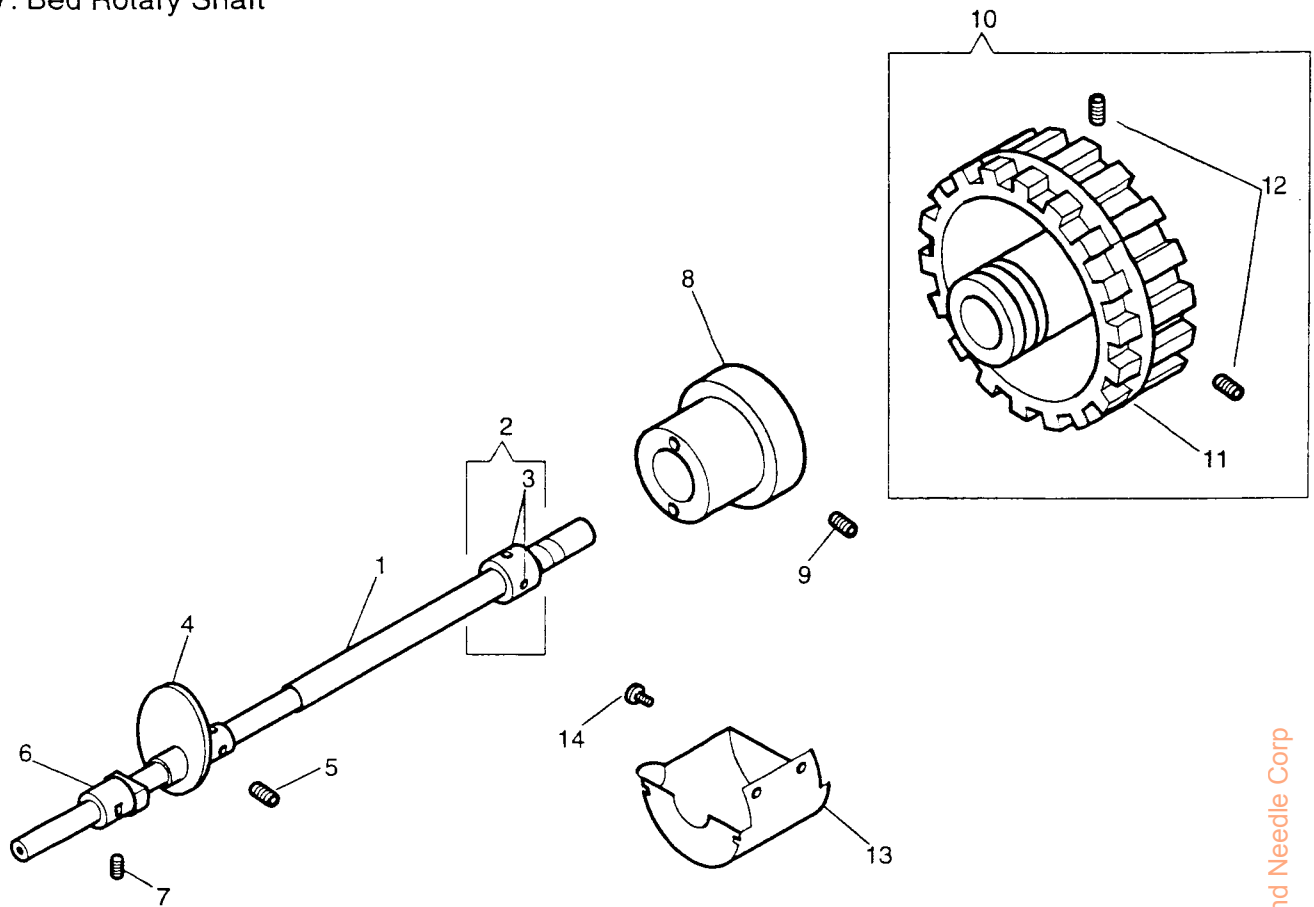
PART NO.	DESCRIPTION	PART NO.	DESCRIPTION		
1	416061	Bevel Gear Assembly	33	416102	Oil Pipe Assembly
2	545068	Set Screw (2)	34	416103	Oil Tube Assembly
3	147111 -001	Arm Shaft (upright) Bushing (upper)	35	416101	Oil Tube Connection
4	372829	Arm Shaft (upright)	36	416078	Oil Connection
5	146505	Arm Shaft (upright) Bushing (lower)	37	416001	Screw (2)
6	416067	Arm Shaft (upright) Collar Assembly	38	143370	Oil Lead
7	545068	Set Screw (2)	39	416020	Screw
8	372803	Oil Pump Body Assembly	40	415930	Oil Removing Tube
9	372801	Oil Pump Body	41	16380	Oil Removing Lint Screen
10	416065	Oil Pipe Clamping Sleeve Adapter (2)	42	376425	Oil Removing Tube • Wire Assembly
11	416063	Oil Pump Impeller	43	158240	Oil Removing Tube (head end) Screen
12	545252	Screw	44	416125	Oil Pipe Assembly
13	146600	Oil Pump (centrifugal) Cover	45	143503	Oil Pipe
14	146657	Oil Pump Screen	46	416062	Oil Pipe Clamping Sleeve Nut
15	146658	Oil Pump Screen Frame	47	143065	Oil Pipe Clamping Sleeve
16	545193	Screw (3)			
17	545183	Screw (3)			
18	143071	Position Pin (2)			
19	375065	Oil Removing Pump Assembly			
20	375066	Oil Removing Pump (body)			
21	540555	Oil Removing Pump Bracket			
22	545239	Set Screw (2)			
23	545239	Set Screw			
24	540556	Oil Removing Pump Piston (2)			
25	540625	Piston Spring (2)			
26	375068	Piston Spring Bracket			
27	504010 -451	Screw			
28	416100	Oil Pipe Assembly			
29	416126	Oil Pipe Assembly			
30	143622	Oil Return Tube			
31	143124	Oil Pipe Clamping Sleeve (6)			
32	416064	Oil Pipe Clamping Sleeve Nut (6)			

6. Needle Bar and Take-up Lever



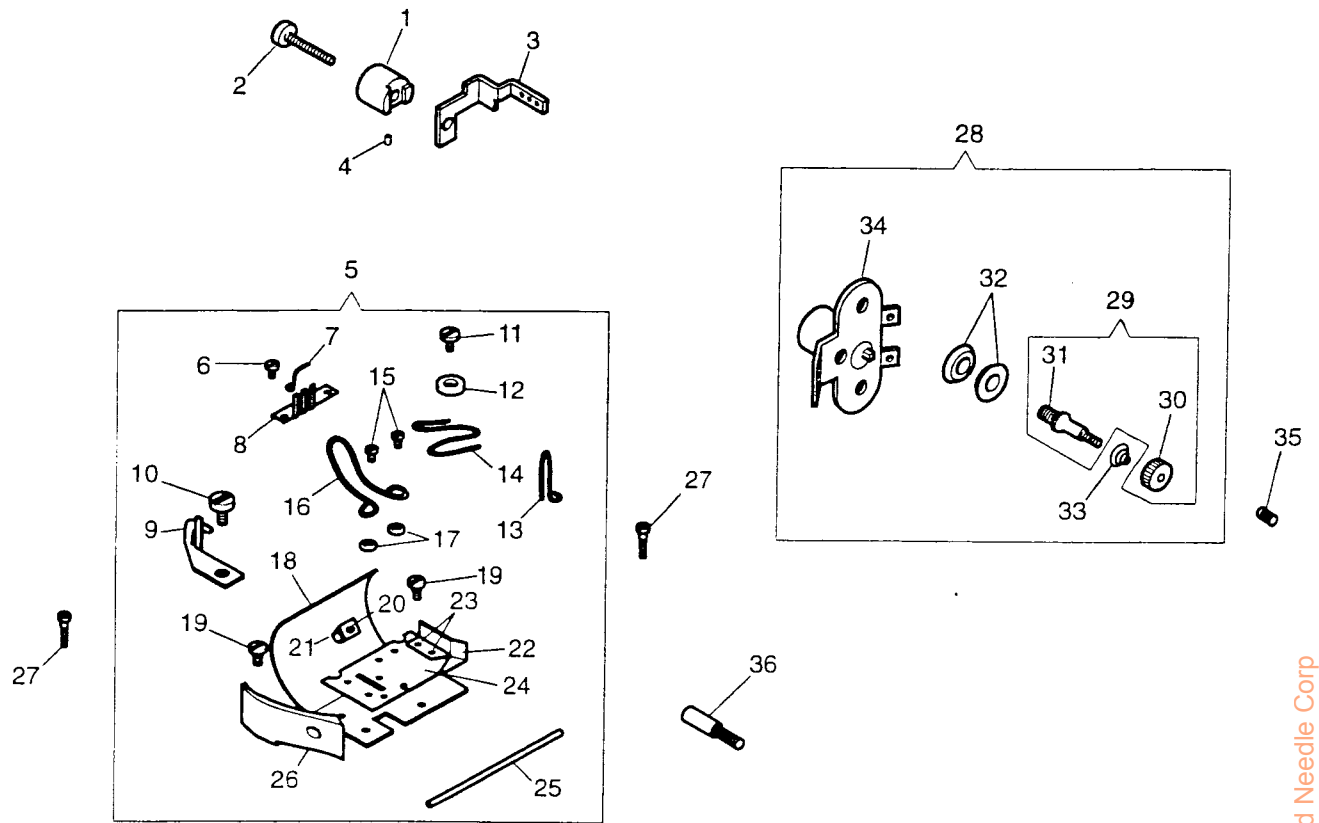
PART NO.	DESCRIPTION
1	140440 Screw
2	416112 Needle Bar Bushing (upper)
3	1133 Set Screw
4	416038 Thread (needle) Take-up Assembly
5	416037 Thread (needle) Take-up with 416146
6	68008 Plate
7	416007 Screw
8	68164 Spring
9	416146 Screw
10	146573 Needle Bar
11	372799 Needle Bar Bushing (lower)
12	1133 Set Screw
13	372201 Needle Clamp Assembly (for 1/8"-1/8")
14	372202 Set Screw (3)
15	146805 Needle Bar Bushing Oil Wick Assembly
16	146580 Oil Wick Clip (2)
17	146804 Needle Bar Bushing Oil Wick
18	146703 Oil Wick Clamp and Retainer
19	139393 Slack Thread Controller
20	54242 Slack Thread Controller Clamp
21	416133 Screw
22	146908 Slide Block Guide
23	59456 Washer (2)
24	416008 Screw (2)
25	139111 Slide Block
26	Cat.3651 -05 Needle (3)

7. Bed Rotary Shaft



	PART NO.	DESCRIPTION			
1	143659	Bed Rotary Shaft			
2	416070	Bed Rotary Shaft Collar Assembly			
3	504048	Set Screw (2)			
4	416028	Thread (looper) Take-up Assembly			
5	544306	Set Screw (2)			
6	143645	Bed Rotary Shaft Bushing (intermediate)			
7	416044	Set Screw			
8	143444	Bed Rotary Shaft Bushing Flanged (right) Assembly			
9	50422	Set Screw			
10	143675	Bed Rotary Shaft Sprocket Wheel Assembly			
11	202253	Sprocket Wheel Spring Flange			
12	416046	Set Screw (2)			
13	143499	Oil and Lint Guard			
14	416136	Screw (2)			

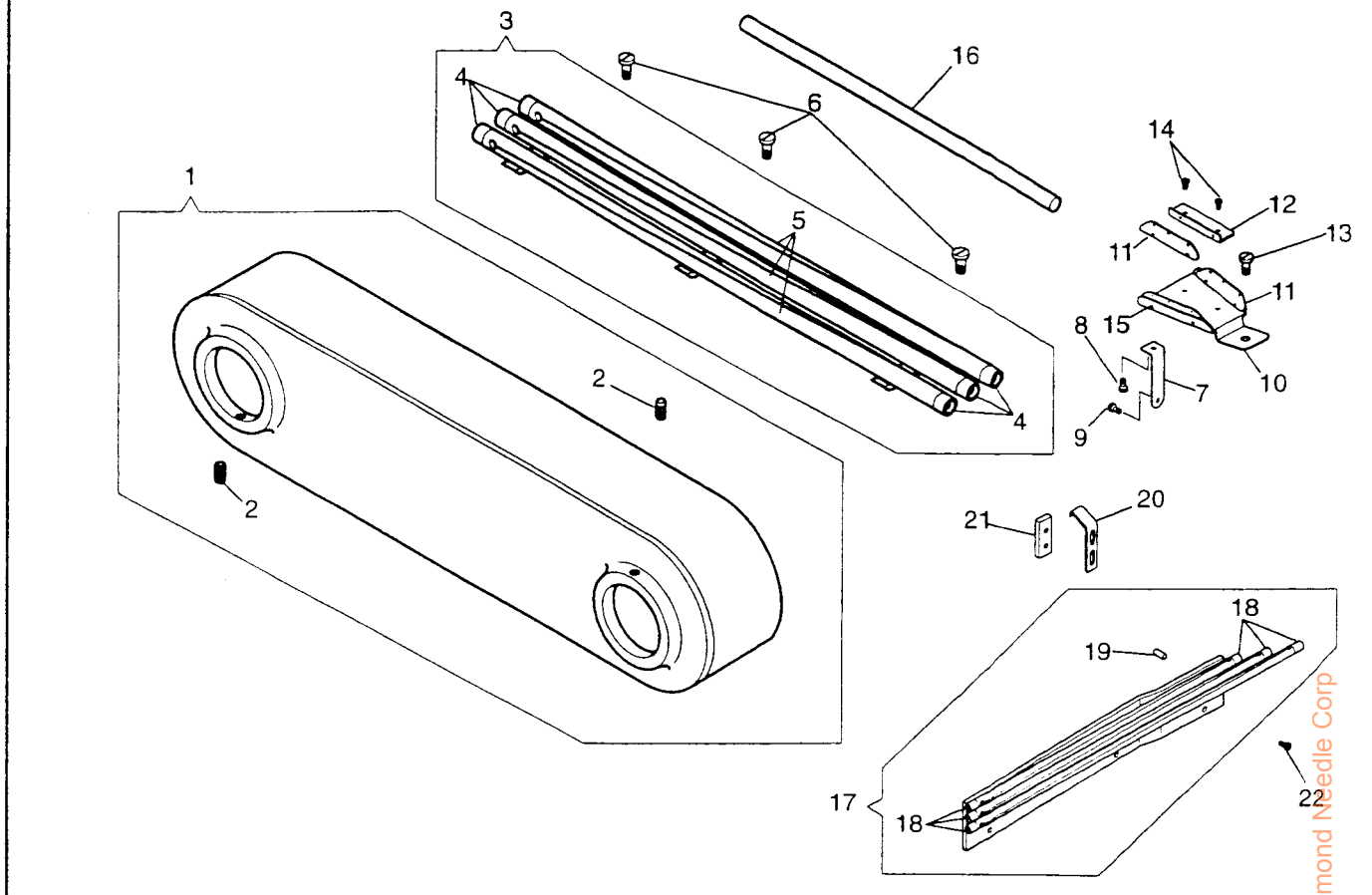
8-1. Looper Thread Guide and Belt Guard



PART NO.	DESCRIPTION	PART NO.	DESCRIPTION		
1	372838	Looper Thread Guide Bracket Holder	32	10106	Tension (looper thread) Disc (6)
2	372839	Screw	33	143514	Tension (looper thread) Spring (3)
3	372837	Looper Thread Guide	34	416087	Tension (looper thread) Body
4	456	Set Screw	35	430	Screw
5	416089 -469	Thread (looper) Take-up Stripper Plate Bracket Assembly	36	416006	Position Screw Stud
6	240	Screw			
7	139157	Thread Retainer			
8	139317	Thread Separator			
9	139154	Thread Guide			
10	416142	Screw			
11	416140	Screw			
12	7071	Washer			
13	139316	Thread Guide (for two threads)			
14	139315	Thread Guide (for one thread)			
15	416137	Screw (2)			
16	139148	Thread (looper) Take-up Stripper			
17	17022	Washer (2)			
18	139145 -469	Cover			
19	416138	Screw (2)			
20	51282	Screw			
21	139147	Lock Spring			
22	139152	Thread Guard			
23	665	Screw (2)			
24	143517	Thread (looper) Take-up Stripper Plate			
25	139146	Hinge Pin			
26	416084	Thread (looper) Take-up Stripper Plate Bracket			
27	416132	Screw (2)			
28	416088	Tension (looper thread) Assembly			
29	416082	Tension (looper thread) Screw Stud Assembly (3)			
30	416009	Thumb Nut (3)			
31	416051	Tension (looper thread) Screw Stud (3)			

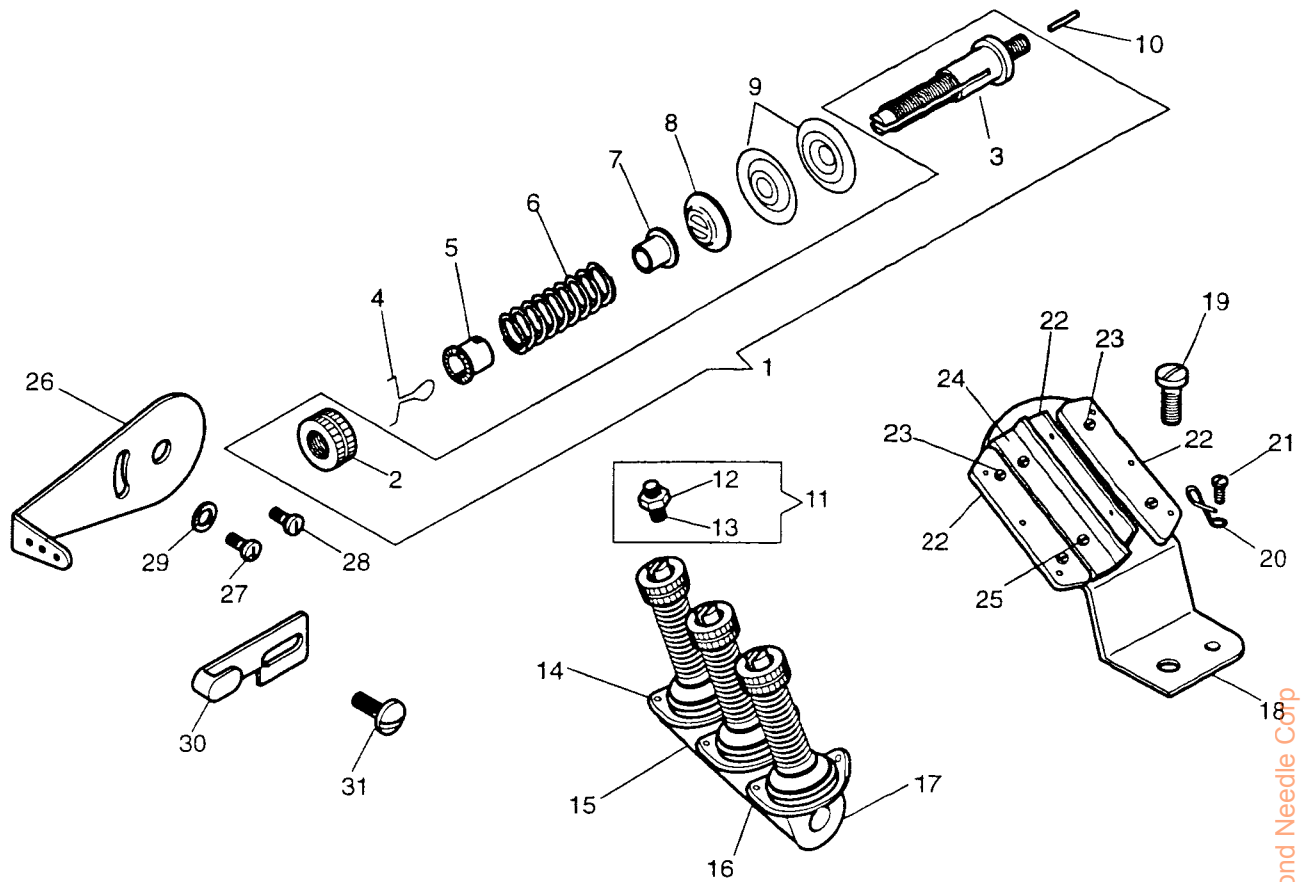
From the library of: Diamond Needle Corp

8-2 . Looper Thread Guide and Belt Guard



PART NO.	DESCRIPTION			
1	416069 -469	Belt Guard Assembly		
2	544322	Set Screw (2)		
3	139327 -469	Thread Tube Assembly		
4	139162	Thread Tube Bushing (6)		
5	139161 -469	Thread Tube (3)		
6	416137	Set Screw (3)		
7	139325 -469	Thread Guide Bracket Support		
8	416142	Screw		
9	416136	Screw		
10	416034 -469	Thread (looper) Guide Bracket		
11	139158	Thread Guide (3)		
12	139330	Thread Guide Bracket		
13	416133	Screw		
14	229	Screw (2)		
15	50342	Screw (6)		
16	139281	Thread Tube		
17	373225 -469	Thread (looper) Tube Assembly		
18	139167	Thread (looper) Tube Bushing (6)		
19	373457	Position Pin		
20	373555	Cover Lock Spring		
21	373556	Reinforcing Plate		
22	416136	Screw		

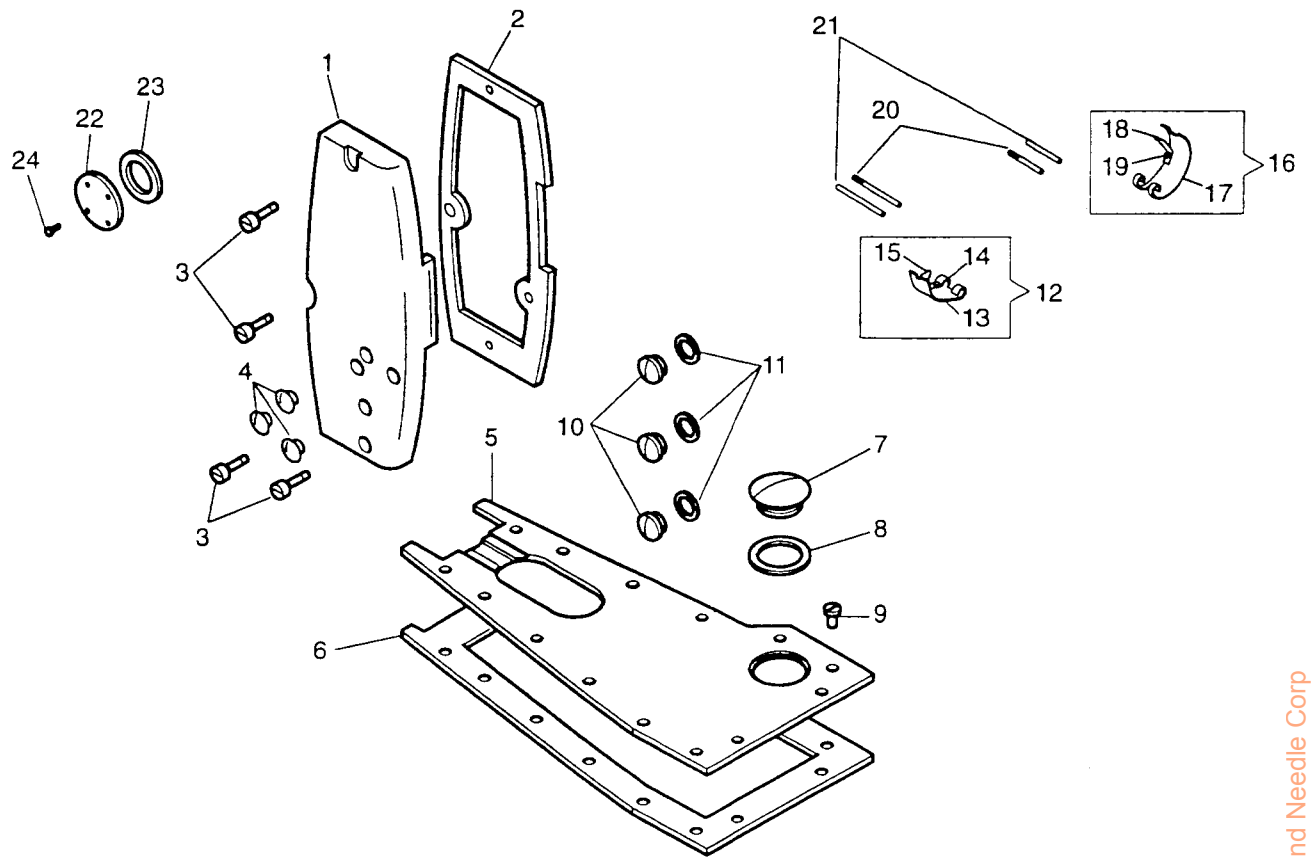
9. Needle Thread Guide and Tension



	PART NO.	DESCRIPTION		
	1	416104	Tension (needle thread) Screw Stud Assembly (3)	
	2	416023	Thumb Nut (3)	
	3	416017	Tension (needle thread) Screw Stud (3)	
	4	143658	Locking Spring (3)	
	5	143657	Tension Spring Bushing (large) (3)	
	6	131741	Tension (needle thread) Spring (3)	
	7	59538	Tension Spring Bushing (small) (3)	
	8	32572	Tension (needle thread) Releasing Disc (3)	
	9	2102	Tension (needle thread) Disc (6)	
	10	54988	Releasing Pin (3)	
	11	416010	Screw and Nut	
	12	374614	Nut	
	13	416003	Screw	
	14	49220	Tension (needle thread) Thread Guide (back)	
	15	143569	Thread Guide	
	16	131696	Thread Guide (front)	
	17	416025 -469	Tension (needle thread) Bracket	
	18	416035 -467	Thread (needle) Guide Bracket	
	19	416047	Screw	
	20	139177	Thread (needle) Eyelet	
	21	416138	Screw	
	22	139158	Thread Guide (3)	
	23	229	Screw (6)	
	24	139330	Thread Guide Bracket	
	25	50342	Screw (2)	
	26	143571	Thread (needle) Eyelet	
	27	416133	Screw	
	28	416004	Screw	
	29	7071	Washer	
	30	143570	Thread Guide	
	31	140180	Screw	

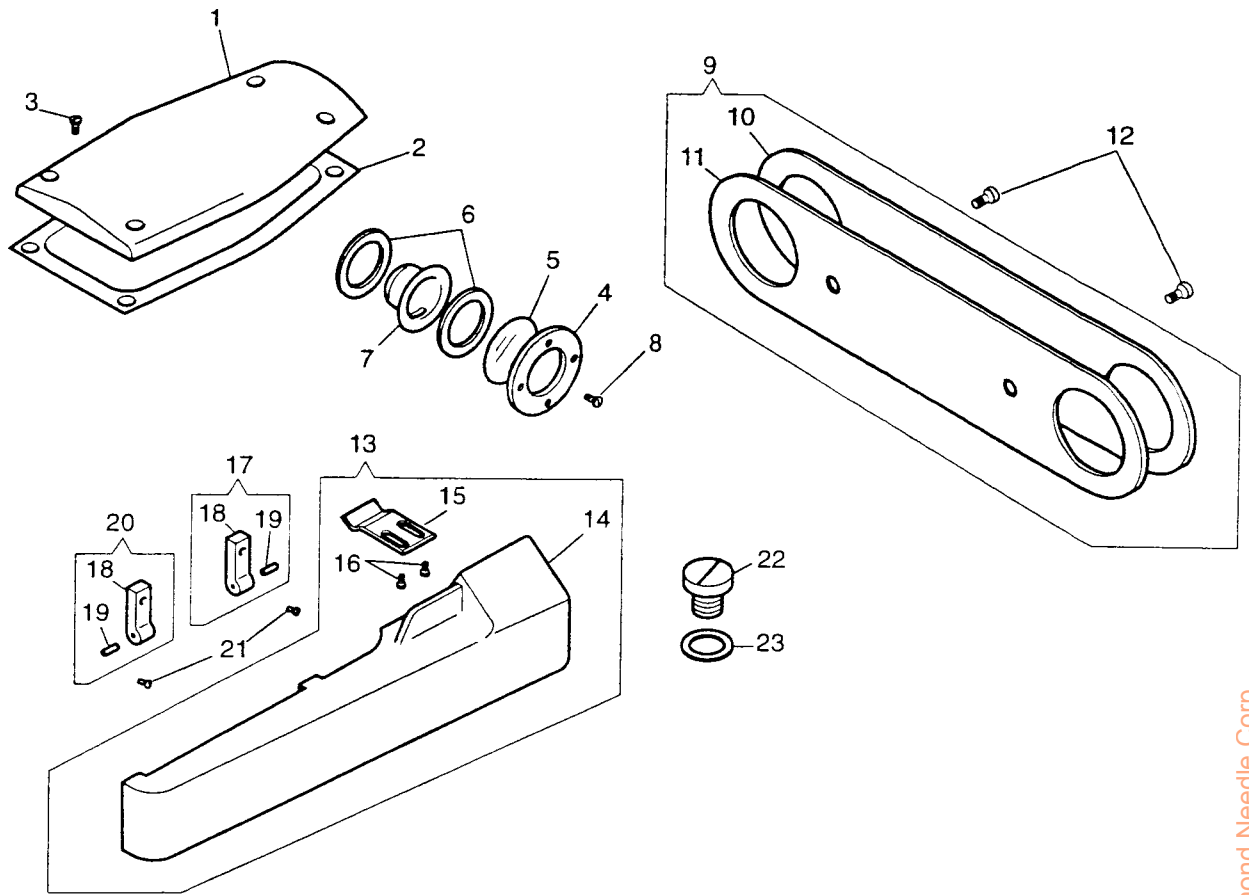
From the library of: Diamond Needle Corp

10-1. Covers



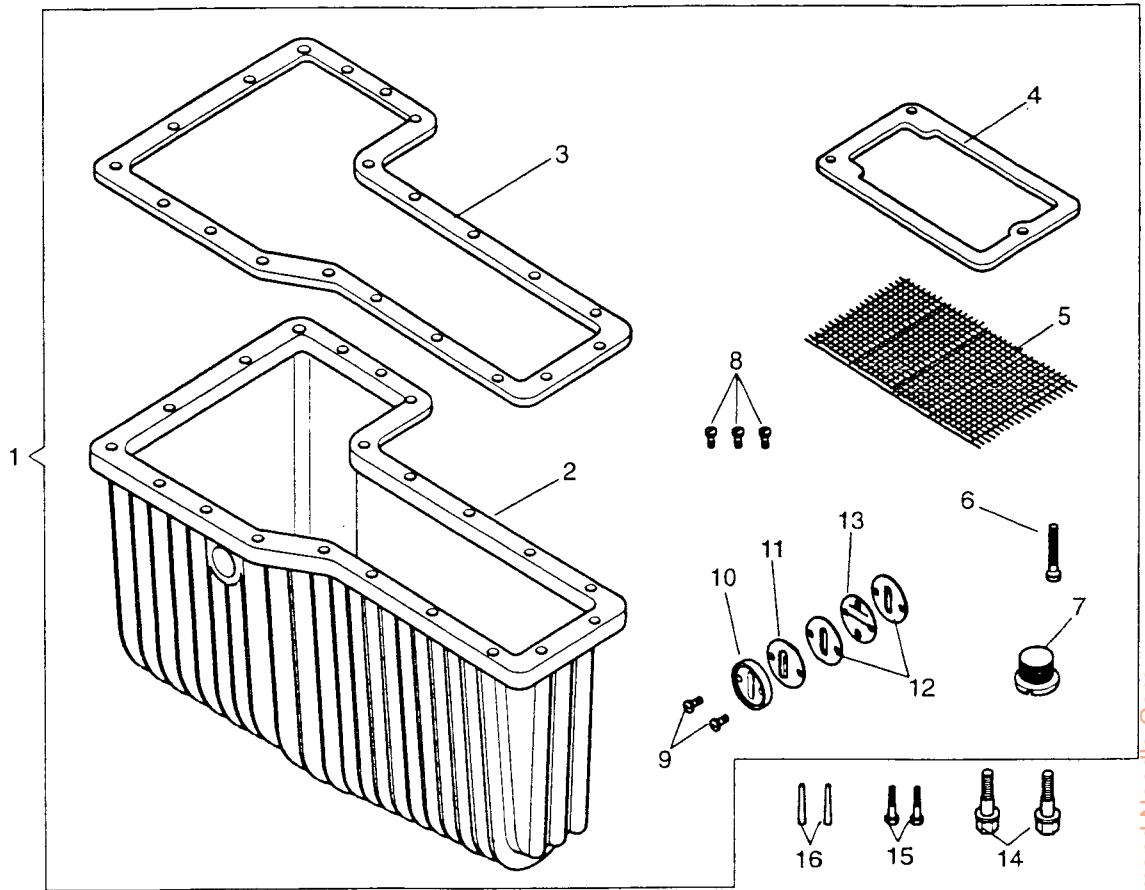
	PART NO.	DESCRIPTION			
1	143447 -467	Face Plate			
2	143543	Gasket			
3	140061	Screw (4)			
4	544782	Face Plate Plug (3)			
5	416068 -469	Bed Cover Assembly			
6	143434	Gasket			
7	416049	Screw			
8	143435	Gasket			
9	140295	Screw (14)			
10	416042	Oil Plug			
11	139509	Gasket			
12	143467	Looper Gate (left) Assembly			
13	143466	Looper Gate (left)			
14	51282	Screw			
15	143470	Looper Gate (left) Lock Spring			
16	143474	Looper Gate (right) Assembly			
17	143473	Looper Gate (right)			
18	143477	Looper Gate (right) Lock Spring			
19	51282	Screw			
20	416149	Hinge Screw Stud (2)			
21	143480	Position Pin (2)			
22	139030	Cover			
23	143643	"O" Ring			
24	416136	Screw (4)			

10-2. Covers



PART NO.	DESCRIPTION			
1	416117 -469	Arm Top Cover		
2	146508	Gasket		
3	416020	Screw (4)		
4	145408 -469	Oil Flow Window Cap		
5	143062	Oil Flow Window		
6	143061	Gasket (2)		
7	146591	Oil Flow Body		
8	416136	Screw (4)		
9	139036 -469	Belt Guard Cover Assembly		
10	139035 -469	Belt Guard Cover		
11	139037	Gasket		
12	545361	Screw (2)		
13	143522 -469	Thread (looper) Guide Cover Assembly		
14	143521 -469	Thread (looper) Guide Cover		
15	139171	Cover Catch		
16	229	Screw (2)		
17	139520 -469	Hinge Plate (right) Assembly		
18	139172 -469	Hinge Plate (2)		
19	12162	Hinge Pin (2)		
20	139519 -469	Hinge Plate (left) Assembly		
21	140061	Screw (2)		
22	50608	Screw		
23	139017	Washer		

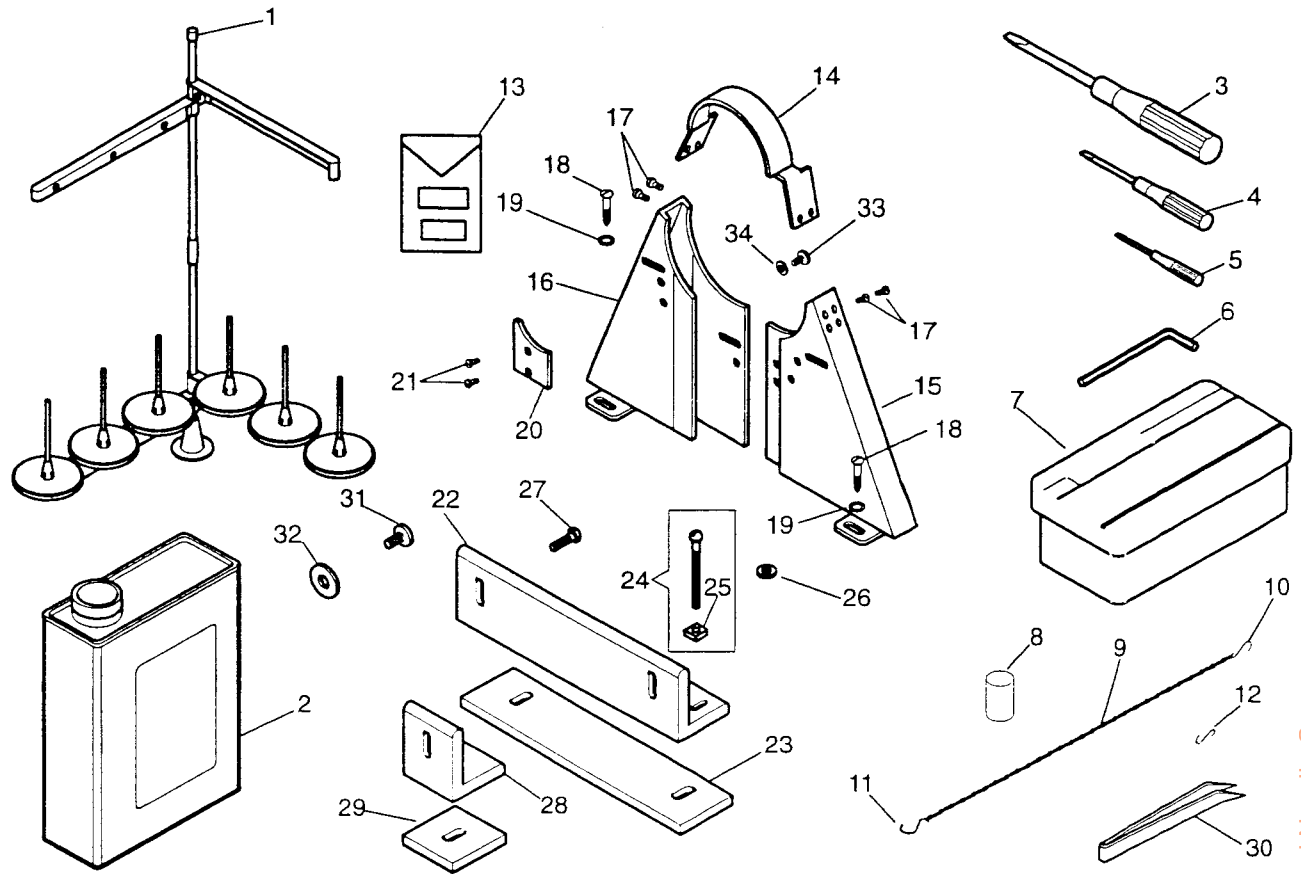
11. Oil Reservoir and Arm Screw .



PART NO.	DESCRIPTION
1 416093 -467	Oil Reservoir Assembly
2 416092 -467	Oil Reservoir
3 143508	Oil Reservoir Gasket
4 143542	Oil Reservoir Screen Frame
5 143509	Oil Reservoir Screen
6 966	Screw (21)
7 416053	Oil Reservoir Drain Plug
8 545109	Screw (3)
9 416008	Screw (2)
10 164134	Oil Reservoir Sight Gauge Window Retainer
11 164133	Oil Reservoir Sight Gauge Window
12 164132	Gasket(2)
13 143601	Sight Gauge Background Disc
14 416111	Arm Screw (right) (2)
15 416019	Arm Screw (left) (2)
16 16532	Arm Dowel Pin (2)

From the library of: Diamond Needle Corp

12.Others



PART NO.	DESCRIPTION	PART NO.	DESCRIPTION
1	416077 -469 Thread Unwinder Assembly	33	544212 -002 Screw
2	121741 Oil (Singer "C" Type Oil) (2)	34	375122 Washer
3	11831 Screw Driver (large)		
4	225498 Screw Driver (middle)		
5	228476 Screw Driver (small)		
6	167260 Wrench		
7	417035 -901 Accessories Box		
8	139190 Machine Cushion (2)		
9	6439 Foot Lever Chain (107 mm)		
10	56864 Foot Lever Chain Hook		
11	56865 Foot Lever Chain Hook		
12	4879 Chain Connecting Link		
13	Cat3651 -05 Needle (6)		
14	372834 -467 Belt Guard (upper)		
15	372831 -467 Belt Guard (left)		
16	372832 -467 Belt Guard (right)		
17	544211 -003 Screw (4)		
18	375124 Set Screw (4)		
19	375123 Washer (4)		
20	372209 -467 Belt Guard Plate		
21	544212 -002 Screw (2)		
22	22794 -469 Machine Mounting Bracket (long)		
23	22796 Bracket (long) Pad		
24	51069 Bolt (3)		
25	51581 Nut (3)		
26	2807 Washer (3)		
27	416059 Bolt (2)		
28	22795 -469 Machine Mounting Bracket (short)		
29	22797 Bracket (short) Pad		
30	120341 Tweezers		
31	545380 Screw		
32	2807 Washer		

From the library of: Diamond Needle Corp